

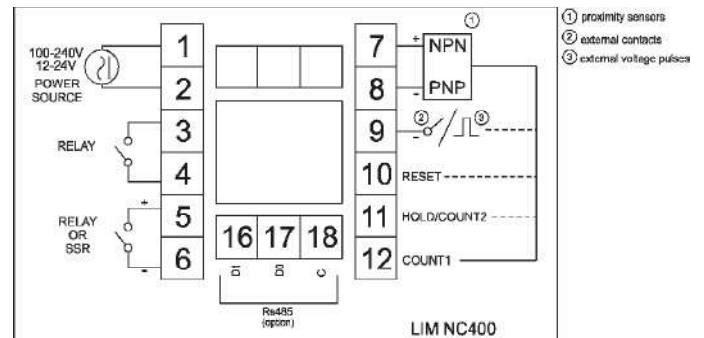
Digital Counter LIM NC400

Technical description

Characteristic	
-	6-digit red display 12 mm-high
-	2 counting input COUNT1, COUNT2, HOLD, RESET
-	extended counting functions
-	outputs triggering timing: 0,01 to 9999,99 s
-	3 work counters (main, partial, additive)
-	max. counting frequency up to 20 kHz
-	max. input voltage up to 30 V DC
-	input impedance 4700 Ω
-	auxiliary voltage source: 12 V DC/50 mA
Input	
-	NPN/PNP, voltage pulse connections
-	counting input
-	external voltage pulses max. 30 V DC
Output I	
-	SSR 5 V output impedance 100 Ω
Output II	
-	relay: 3 A/250 V
Additional source power	
	12 V DC/50 mA (±10%)
Power source	
	(100 ÷ 240) V AC/DC (±10%)
	(12 ÷ 24) V AC/DC
	9 VA
Operating conditions	
-	temperature: (0 ÷ 50) °C
-	humidity: (0 ÷ 85) % RH without condensation
Dimensions [mm]	
	48x48x110; hole: 45,5x45,5



Wiring diagram



Modes of operation

CODE	Input COUNT2/HOLD	Input COUNT1	Action
0	HOLD	SUB	DOWN
1	HOLD	ADD	UP
4	SUB	SUB	DOWN
5	SUB	ADD	UP
6	ADD	SUB	DOWN
7	ADD	ADD	UP
8	Select ADD	SUB or ADD	DOWN
9	Select SUB	ADD or SUB	UP
12	QUADRATURE		DOWN
13	QUADRATURE		UP
14	QUADRATURE 2x		DOWN
15	QUADRATURE 2x		UP

UP/DOWN - the main counter counts up/down starting from the programmed offset value (usually 0) to the SET POINT value.

HOLD - pause, stop counting

ADD - adding counted pulses from given input

SUB - subtracting the counted pulses from a given input

Select ADD/SUB - COUNT 2 input determines if COUNT1 is an input adding or subtracting

QUADRATURE - fast two-way counting mode that uses two counting inputs to determine if counting will be made adding or subtracting

QUADRATURE 2x - the same as in QUADRATURE mode but it counts 2x faster with increased resolution

Ordering example

Digital Counter LIM NC400 (standard power source (100 ÷ 240) V)
Digital Counter LIM NC400-24 V (optional power source (12 ÷ 24) V)