

Temperature Controller **LIM N1020**

Technical description

Characteristic

- PID parameters auto-tuning; ON/OFF
- high brightness red LED display
- autotuning
- adjustable offset for the sensor
- programmable input
- 2 programmable control / alarm outputs
- ramping
- sensor damage detection
- simple configuration menu
- front pannel: IP65, polycarbonate UL94 V-2
- programmable timer

Input

- TC: J, K, T, N, R, S, B, E
- RTD: Pt100
- (0 ÷ 50) mV

Accuracy

- ±0,25% ±1°C: for J, K, T, N, R, S, B, E
- ±0,2% of range: for Pt100

Output I

- SSR: 5 V DC/25 mA max.

Output II

- relay: 1,5 A/240 V AC

Power source

- (100 ÷ 240) V AC/DC (±10%)
- 9 VA

Operating conditions

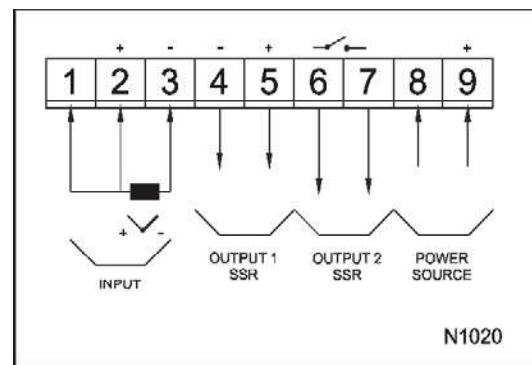
- temperature: (0 ÷ 50) °C
- humidity: (20 ÷ 80) % RH without condensation

Dimensions [mm]

25x48x105; hole: 45,5x22,5



Wiring diagram



Ordering example

Temperature controller LIM N1020