

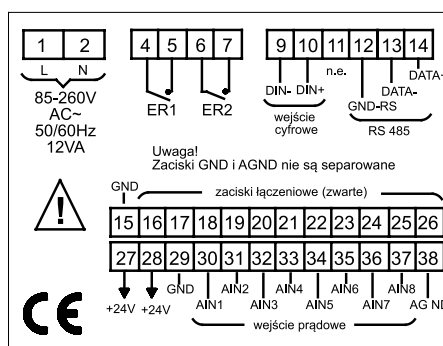
## Videographic recorder LIM-99

### Technical description

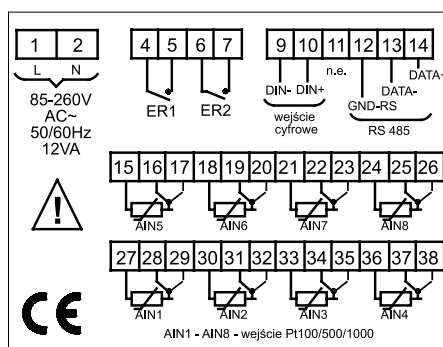
<b>Characteristic</b>
– various physical values recorder – 24 V DC built-in transmitters power supply – 2 relay outputs with alarm functions – RS485 MODBUS RTU – USB interface for measurement values downloading
<b>Output</b>
– measurement: 1, 4, 8 channels (4 ÷ 20) mA or Pt100/500/1000 – digital: one 24 V, transport – communication: RS485
<b>Measuring range</b>
±9999
<b>Accuracy</b>
±0,25% ±1 digit
<b>Number of channels</b>
1, 4, 8 current input (4 ÷ 20) mA or Pt100/500/1000
<b>Pamięć</b>
2 MB (up to 500,000 measurements), 2 GB Flash storage (USB option)
<b>Visualisation</b>
– backlight LCD graphic display (128x64)
<b>Power source</b>
(85 ÷ 260) V AC (24 ÷ 48) V DC
<b>Operating conditions</b>
– temperature: (0 ÷ 50) °C – humidity: <90% RH without condensation
<b>Dimensions [mm]</b>
96x96x92; hole: 90,5x90,5
<b>Additional functions</b>
– RS485/USB converter – USB Host port for Flash storage - PenDrive – PC software included with the recorder: for recorder configuration, for transferring, visualizing, reporting, archiving and printing registration measurements



Wiring diagram



wersja z wejściami prądowymi



wersja z wejściami Pt

### Ordering code

Videographic recorder	LIM-99 - ... - ... - 28 - 1 - ... - ...			
Number of channels:				
one			1	
four			4	
eight			8	
Types of input:				
(0 ÷ 20) mA/(4 ÷ 20) mA			1	
RTD (Pt100, Pt500, Pt1000)			3	
Power source:				
24 V AC/DC				3
(85 ÷ 260) V AC/DC				4
USB Host (USB on the front panel)				0B

### Ordering example

Videographic recorder LIM-99-4-3-28-1-4-0B