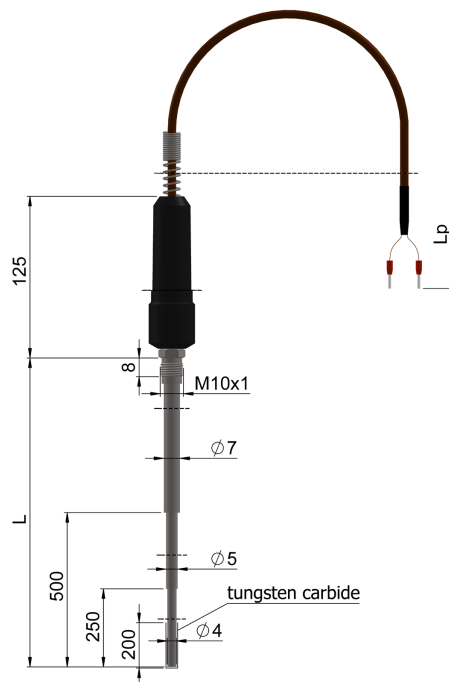


Mineral insulated thermocouple sensors PTTJ-147, PTTK-147

Technical description

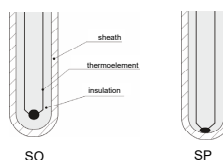
Measuring range / sensing element		
(-40 ÷ 700) °C	J	class 2
(-40 ÷ 800) °C	K	class 2
Thermowell		
– three-stepped $\phi 4/\phi 5/\phi 7$ mm		
– material: steel 1.4541		
– length L [mm]: 600÷1000		
– at length 200 mm covered with tungsten carbide to enhance abrasion resistance		
Construction version		
– plastic handle, max. working temperature 80 °C		
– M10x1 thread allows the sensor to be screwed into the housing of e.g. a container		
Wire		
– wire: 2x0,22 mm ² in double silicone insulation		
– measuring junction: isolated SO		
– length L _p =1m (standard)		
Options		
– measuring junction: grounded SP		
– thermocouple J, K: class 1		
– other lead wire insulation types: teflon, armour, fiberglass		
Additional accessories		
– mini plug SMPW – p. 198÷199		
– compensation cables – p. 197		



Tolerance for thermocouples class acc to. PN-EN 60584

Thermocouple	Class 1		Class 2	
	Range [°C]	Tolerance [°C]	Range [°C]	Tolerance [°C]
J Fe-CuNi	(-40÷375) (375÷750)	±1,5 ±0,004 t	(-40÷333) (333÷750)	±2,5 ±0,0075 t
K NiCr-NiAl	(-40÷375) (375÷1000)	±1,5 ±0,004 t	from (-40÷333) (333÷1200)	±2,5 ±0,0075 t

Types of measuring hot junction



Ordering code

Temperature sensor	PTT	...	147-
Thermocouple Fe-CuNi	J					
Thermocouple NiCr-NiAl	K					
Junction insulated from the sheath				SO		
Junction grounded				SP		
Thermocouple class					1, 2	
Sheath length L [mm]					1000*	
Cable length L _p [m]						1m*

* or others acc. to requirements

Ordering example

PTTK-147-SO-1-1000-1m sensor with mineralinsulated thermocouple NiCr-NiAl, kl. 1, insulated junction, sheath length L = 1000 mm, lead wire length L_p=1m