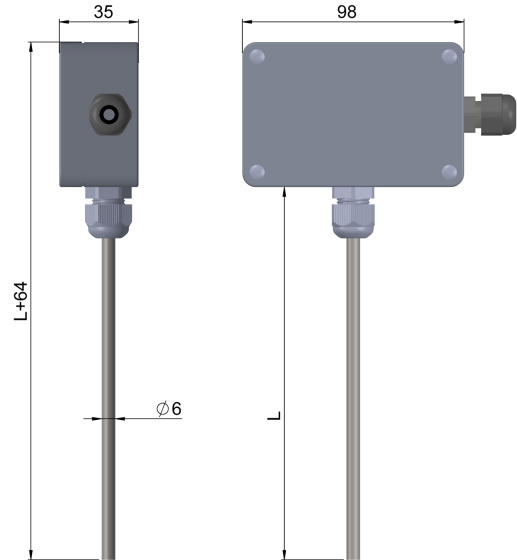


Temperature sensor for HVAC application **TOPZ-842Exi**

**Technical description**



Measuring range / sensing element		
(-50 ÷ 85) °C	<b>Pt100</b>	class B
Thermowell		
– material: steel 1.4541		
– length L [mm]: 50+500 (standard 50 mm)		
Housing		
– aluminium alloy (max. 0,5% Mg), IP65		
– cable gland ATEX II GD IP65 (for cable 1+5 mm)		
Construction version		
– Exi acc. to ATEX		
– WE Type-Examination Certificate: <b>KDB 07ATEX055</b>		
II 2G Ex ia IIC T6 II 2D Ex ia IIIC T85 °C		
Options		
– Pt500, Pt1000		
– 3-, 4-wire connection		
– Pt100: class A (-30 ÷ 85) °C, class AA (0 ÷ 85) °C		
Additional accessories		
– temperature transmitters with Exi version – p. 225+241		



Resistors tolerance acc. to PN-EN 60751

Class	Wire wound resistor	
	Range [°C]	Tolerance [°C]
<b>AA</b>	(-50÷250)	±(0,1+0,0017· t )
<b>A</b>	(-100÷450)	±(0,15+0,002· t )
<b>B</b>	(-196÷600)	±(0,3+0,005· t )

**Ordering code**

Temperature sensor	...	TOPZ-842Exi	-	...	...	...	...	...	...
With transmitter	<b>AP</b>								
Sheath length L [mm]				<b>100*</b>					
Resistor type						<b>Pt100*</b>			
Resistor class								<b>A, B*</b>	
Measuring circuit								<b>2, 3, 4</b>	
Type of transmitter									<b>HRFX*</b>
Setting of transmitter temperature									<b>(0 ÷ 50) °C*</b>

\* or others acc. to requirements

**Ordering example**

**TOPZ-842Exi-50-Pt1000-A-3** sensor with Pt1000, class A, 3-wire connection, sheath length L=50 mm